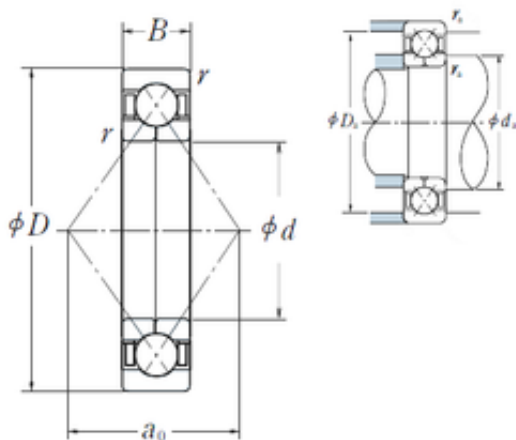




## AMERICAN NTN BEARING LTD

75 mm x 160 mm x 37 mm NSK QJ315 angular contact ball bearings

Bearing No. QJ315



QJ315 Bearing 2D drawings and 3D CAD models

Size	75x160x37 mm
Bore Diameter	75 mm
Outer Diameter	160 mm
Width	37 mm
d	75 mm
D	160 mm
B	37 mm
C	37 mm
Angle ( ° )	35 °
a	82,3 mm
r min.	2,1 mm
da min.	87 mm
da max	148 mm
ra max.	2 mm
Weight	3,9 Kg
Basic dynamic load rating (C)	187 kN
Basic static load rating (C0)	320 kN
(Grease) Lubrication Speed	3 400 r/min
SRI	14.03
hidYobi	QJ315
LangID	1
ALP23	0
ALP22	0
D_	160
ALP21	35



## AMERICAN NTN BEARING LTD

SREX	0.1
B_	37
hidTable	ecat_NSANGFP
Oil rpm	4800
C0r	33000
SRE	14.03
mass	3.9
GRS rpm	3400
ra	2
SRIX	0.1
D_a	148
Cr	19100
SRIN	0
C0	320
SREN	0
DE_	144.755
Prod_Type3	ACBB_FP_A
da	87
DA_	26.988
Z_	11
yobi	QJ315
ao	82.3
SDM_	117.5
r	2.1
KBRG	7764
DI_	90.231