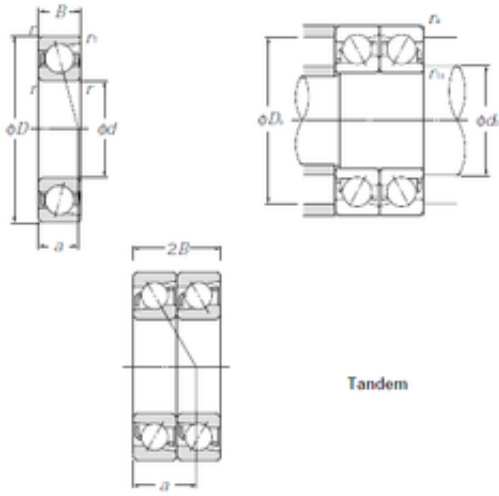




# AMERICAN NTN BEARING LTD



30 mm x 42 mm x 7 mm CYSD 7806CDT  
angular contact ball bearings

Bearing No. 7806CDT

Size	30x42x7 mm
Bore Diameter	30 mm
Outer Diameter	42 mm
Width	7 mm
d	30 mm
D	42 mm
B	7 mm
C	7 mm
Angle ( ° )	15 °
r min.	0,3 mm
2B	14 mm
Weight	0,05 Kg
Basic dynamic load rating (C)	8,7 kN
Basic static load rating (C0)	9 kN
(Grease) Lubrication Speed	18000 r/min

7806CDT Bearing 2D drawings and 3D CAD models