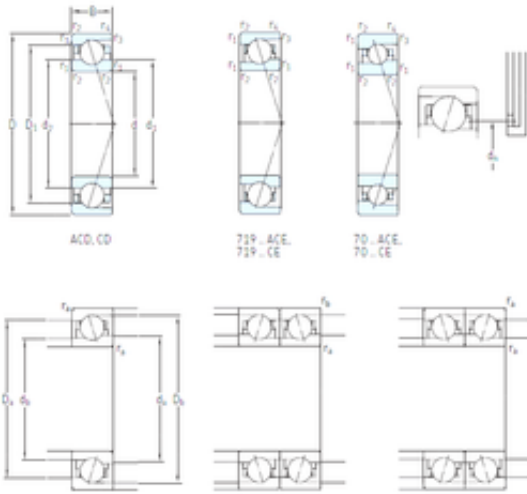




AMERICAN NTN BEARING LTD

110 mm x 140 mm x 16 mm SKF 71822
ACD/HCP4 angular contact ball bearings

Bearing No. 71822 ACD/HCP4



71822 ACD/HCP4 Bearing 2D drawings and 3D CAD models

Size	110x140x16 mm
Bore Diameter	110 mm
Outer Diameter	140 mm
Width	16 mm
d	110 mm
D	140 mm
B	16 mm
C	16 mm
d1	119,8 mm
d2	119,8 mm
r1 min.	1 mm
r2 min.	1 mm
r3 min.	0,3 mm
r4 min.	0,3 mm
D1	130,6 mm
D2	– mm
da min.	114,6 mm
Da max.	135,4 mm
db min	114,6 mm
ra max.	1 mm
rb max.	0,3 mm
dh	120,9 mm
Db max	138 mm
Weight	0,45 Kg
Basic dynamic load rating (C)	30,2 kN



AMERICAN NTN BEARING LTD

Basic static load rating (C ₀)	38 kN
(Grease) Lubrication Speed	9 000 r/min
(Oil) Lubrication Speed	14 000 r/min
Fatigue load limit (P _u)	1,46
d ₁	119.8 mm
d ₂	119.8 mm
D ₁	130.6 mm
r _{1,2} min.	1 mm
r _{3,4} min.	0.3 mm
a	37.2 mm
d _a min.	114.6 mm
d _b min.	114.6 mm
D _a max.	135.4 mm
D _b max.	138 mm
r _a max.	1 mm
r _b max.	0.3 mm
d _n	120.9 mm
Basic dynamic load rating C	30.2 kN
Basic static load rating C ₀	38 kN
Fatigue load limit P _u	1.46 kN
Attainable speed for grease lubrication	9000 r/min
Attainable speed for oil-air lubrication	14000 r/min
Ball diameter D _w	8.731 mm
Number of balls z	32
Reference grease quantity G _{ref}	5.1 cm ³
Preload class A G _A	260 N
Static axial stiffness, preload class A	262 N/ μ m
Preload class B G _B	800 N
Static axial stiffness, preload class B	419 N/ μ m



AMERICAN NTN BEARING LTD

Preload class C G_C	1600 N
Static axial stiffness, preload class C	575 N/ μ m
Calculation factor f	1.34
Calculation factor f_1	0.97
Calculation factor f_{2A}	1
Calculation factor f_{2B}	1.09
Calculation factor f_{2C}	1.17
Calculation factor f_{HC}	1.02
Calculation factor e	0.68
Calculation factor (single, tandem) Y_2	0.87
Calculation factor (single, tandem) Y_0	0.38
Calculation factor (single, tandem) X_2	0.41
Calculation factor (back-to-back, face-to-face) Y_1	0.92
Calculation factor (back-to-back, face-to-face) Y_2	1.41
Calculation factor (back-to-back, face-to-face) Y_0	0.76
Calculation factor (back-to-back, face-to-face) X_2	0.67
Mass bearing	0.45 kg