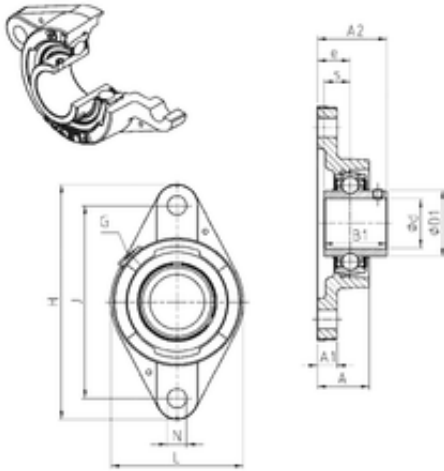




AMERICAN NTN BEARING LTD



SNR UCFLE212 bearing units

Bearing No. UCFLE212

Bore Diameter	60 mm
d	60 mm
e	34 mm
s	25,4 mm
A	50,4 mm
A1	16 mm
B1	65,1 mm
D1	74,9 mm
H	238 mm
J	202 mm
L	138 mm
N	18 mm
Thread (G)	R1/8"
A2	73,7 mm
Weight	3,7 Kg
Basic dynamic load rating (C)	52,5 kN

UCFLE212 Bearing 2D drawings and 3D CAD models