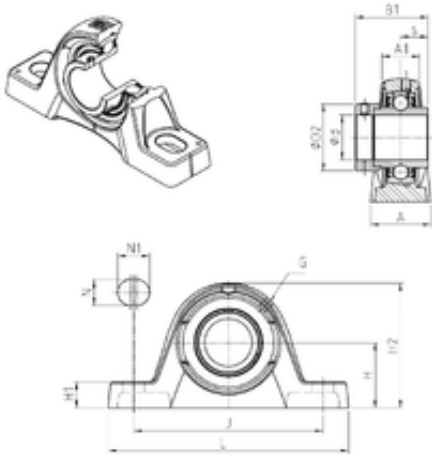




# AMERICAN NTN BEARING LTD

## SNR EXPLE210 bearing units

Bearing No. EXPLE210



EXPLE210 Bearing 2D drawings and 3D CAD models

Bore Diameter	50 mm
d	50 mm
s	24,6 mm
A	55 mm
A1	36 mm
B1	62,7 mm
D2	69,9 mm
H	55,6 mm
H1	19,3 mm
H2	114 mm
J	164 mm
L	214 mm
N	14 mm
N1	27 mm
Thread (G)	M6x1
Weight	2,9 Kg
Basic dynamic load rating (C)	35,1 kN