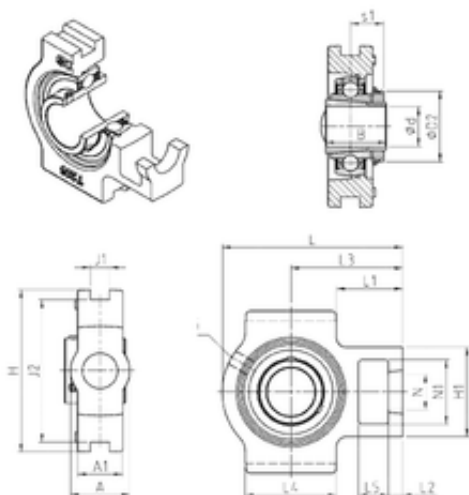




AMERICAN NTN BEARING LTD

SNR UKT208H bearing units

Bearing No. UKT208H



UKT208H Bearing 2D drawings and 3D CAD models

Bore Diameter	35 mm
d	35 mm
L4	83 mm
L5	19 mm
L2	16 mm
L3	88 mm
s1	24,5 mm
A	49 mm
A1	33 mm
B	46 mm
D2	58 mm
H	114 mm
H1	83 mm
L	144 mm
L1	46,5 mm
N	29 mm
N1	49 mm
Thread (G)	M6x1
J1	16 mm
J2	102 mm
Weight	2,4 Kg
Basic dynamic load rating (C)	29,6 kN
A2	33 mm
A5	24.5 mm
B1	46 mm
d1	58 mm



AMERICAN NTN BEARING LTD

G	M6x1
H2	83 mm
N2	49 mm
C	29.6 kN
C0	18.2 kN
T min.	-20 ° C
T max.	100 ° C
Adapter sleeve reference	H2308
Designation of housing	T208-
Designation of bearing	UK208G2H