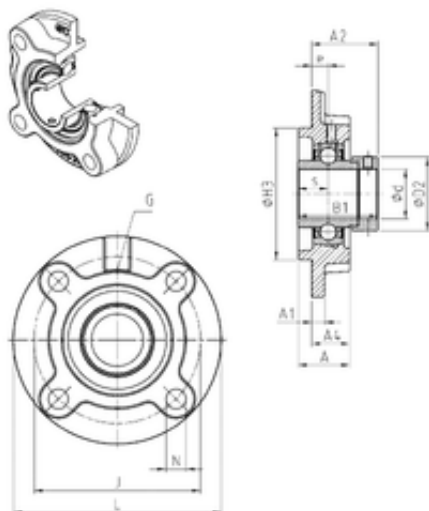




# AMERICAN NTN BEARING LTD



## SNR EXFC212 bearing units

Bearing No. EXFC212

Bore Diameter	60 mm
d	60 mm
H3	135 mm
A4	36 mm
e	17 mm
s	30,9 mm
A	48 mm
A1	15 mm
B1	77,7 mm
D2	84,2 mm
J	160 mm
L	195 mm
N	19 mm
Thread (G)	M6x1
A2	63,8 mm
Weight	5,3 Kg
Basic dynamic load rating (C)	52,5 kN

EXFC212 Bearing 2D drawings and 3D CAD models