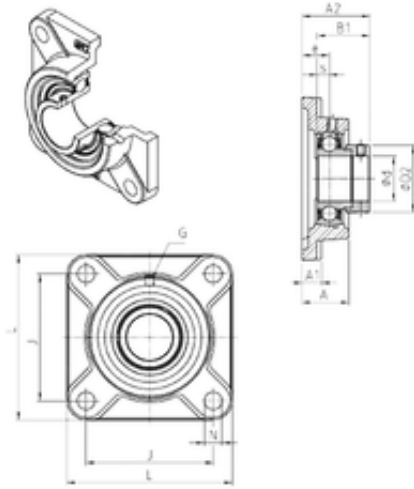




# AMERICAN NTN BEARING LTD



## SNR ESF210 bearing units

Bearing No. ESF210

Bore Diameter	50 mm
d	50 mm
e	22 mm
s	11 mm
A	40 mm
A1	16 mm
B1	43,7 mm
D2	69,9 mm
J	111 mm
L	143 mm
N	16 mm
Thread (G)	M6x1
A2	54,7 mm
Weight	2,5 Kg
Basic dynamic load rating (C)	35,1 kN

ESF210 Bearing 2D drawings and 3D CAD models