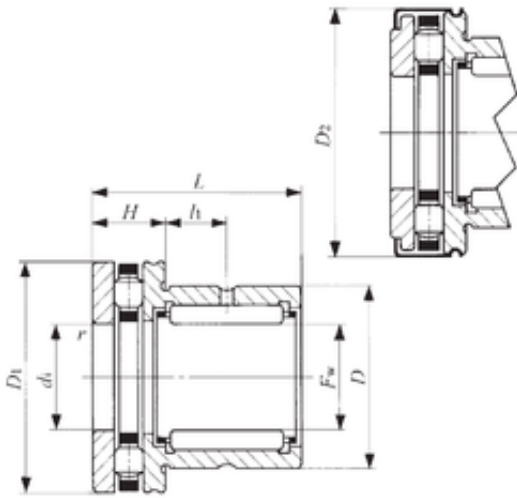




AMERICAN NTN BEARING LTD

IKO NBX 2530Z complex bearings

Bearing No. NBX 2530Z



NBX 2530Z Bearing 2D drawings and 3D CAD models

Bore Diameter	25 mm
Outer Diameter	37 mm
Fw	25 mm
D	37 mm
D1	42 mm
D2	43 mm
d1	25 mm
r min.	0,6 mm
H	11 mm
L	30 mm
L1	9,5 mm
da min.	40 mm
Weight	0,147 Kg
Dynamic load rating radial (C)	20 kN
Dynamic load rating axial (C)	22,7 kN
Static load rating radial (C0)	32,1 kN
Static load rating axial (C0)	60,7 kN