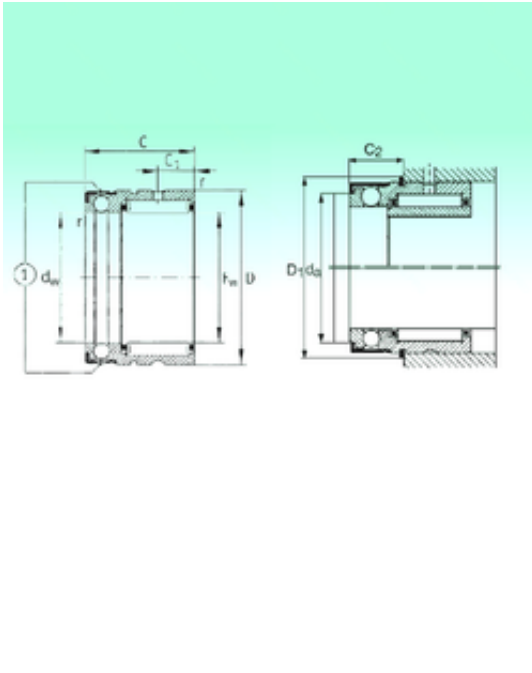




AMERICAN NTN BEARING LTD



NX 7 TN Bearing 2D drawings and 3D CAD models

NBS NX 7 TN complex bearings

Bearing No. NX 7 TN

Size	7x14x18 mm
Bore Diameter	7 mm
Outer Diameter	14 mm
Width	18 mm
d	7 mm
Fw	0,014 mm
D	14 mm
C	18 mm
C1	4,7 mm
D1	16,5 mm
C2	10 mm
da	9,6 mm
Dynamic load rating radial (C)	2,7 kN
Dynamic load rating axial (C)	3,2 kN
Static load rating radial (C0)	2,51 kN
Static load rating axial (C0)	4,3 kN