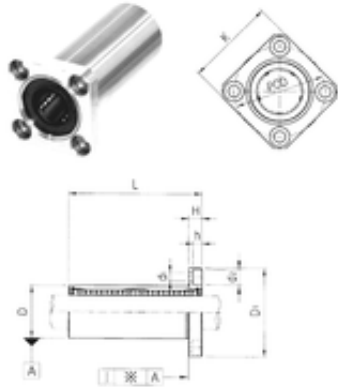




AMERICAN NTN BEARING LTD

Samick LMK13L linear bearings



Bearing No. LMK13L

Bore Diameter	13 mm
Outer Diameter	23 mm
d	13 mm
D	23 mm
d1	4,5 mm
d2	8 mm
h	4,4 mm
D1	43 mm
H	6 mm
K	34 mm
L	61 mm
PCD	33 mm
Tolerance perpendicularity (C)	15
Weight	0,13 Kg
Basic dynamic load rating (C)	0,81 kN

LMK13L Bearing 2D drawings and 3D CAD models