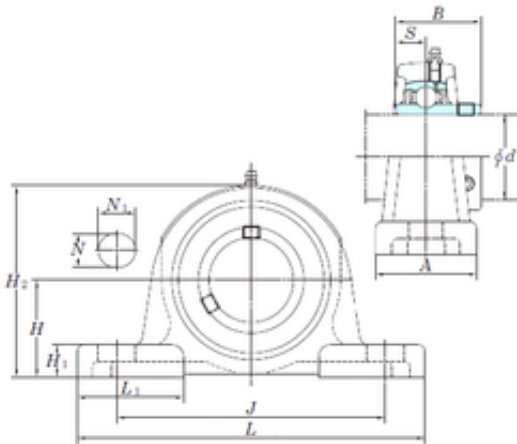




AMERICAN NTN BEARING LTD

Chik NSK Koyo NTN Industrial Bearing Pillow Block Bearing UCP201 UCP202 UCP203 UCP204 UCP205 Bearings



Bearing No. UCP201

Bore Diameter	12 mm
Width	31 mm
d	12 mm
A	38 mm
B	31 mm
H	30,2 mm
H1	12 mm
H2	60 mm
J	95 mm
L	127 mm
L1	38 mm
N	13 mm
N1	18 mm
S	12,7 mm
Bolt (G)	M10
Weight	0,63 Kg
Basic dynamic load rating (C)	12,8 kN
Basic static load rating (C0)	6,65 kN
Bearing No.	UCP201
Bolt size	M10
Cr	12.8
C0r	6.65
f0	13.2
(Refer.) Unit mass(kg)	0.63

UCP201 Bearing 2D drawings and 3D CAD models



AMERICAN NTN BEARING LTD

Nipple size

1/4-28UNF