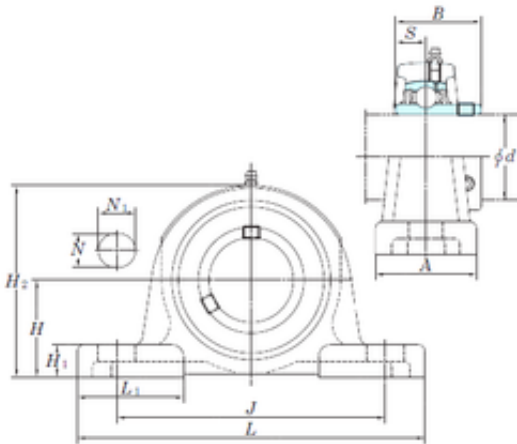




AMERICAN NTN BEARING LTD

Asahi NTN Koyo NSK SKF Timken Brand Pillow Block Bearing UCP201 P202 P203 P204 P205



Bearing No. UCP201

| | |
|-------------------------------|---------|
| Bore Diameter | 12 mm |
| Width | 31 mm |
| d | 12 mm |
| A | 38 mm |
| B | 31 mm |
| H | 30,2 mm |
| H1 | 12 mm |
| H2 | 60 mm |
| J | 95 mm |
| L | 127 mm |
| L1 | 38 mm |
| N | 13 mm |
| N1 | 18 mm |
| S | 12,7 mm |
| Bolt (G) | M10 |
| Weight | 0,63 Kg |
| Basic dynamic load rating (C) | 12,8 kN |
| Basic static load rating (C0) | 6,65 kN |
| Bearing No. | UCP201 |
| Bolt size | M10 |
| Cr | 12.8 |
| C0r | 6.65 |
| f0 | 13.2 |
| (Refer.)Unit mass(kg) | 0.63 |

UCP201 Bearing 2D drawings and 3D CAD models



AMERICAN NTN BEARING LTD

Nipple size

1/4-28UNF